

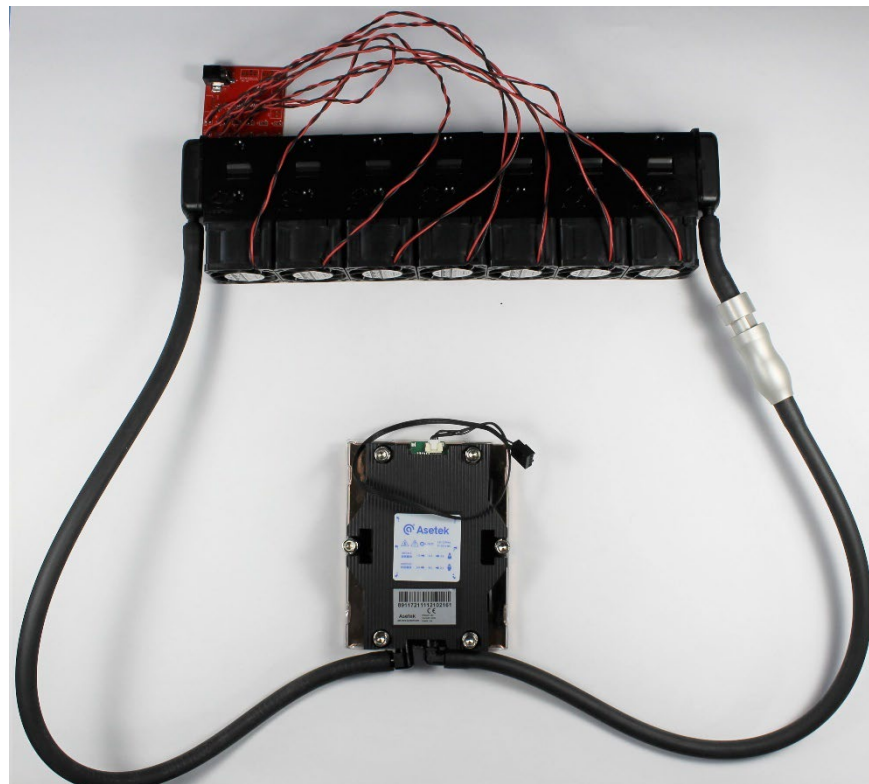
SP5/ SP5+ AIO
Cooling Solution
PN: CS-Kit-AM501/AM502



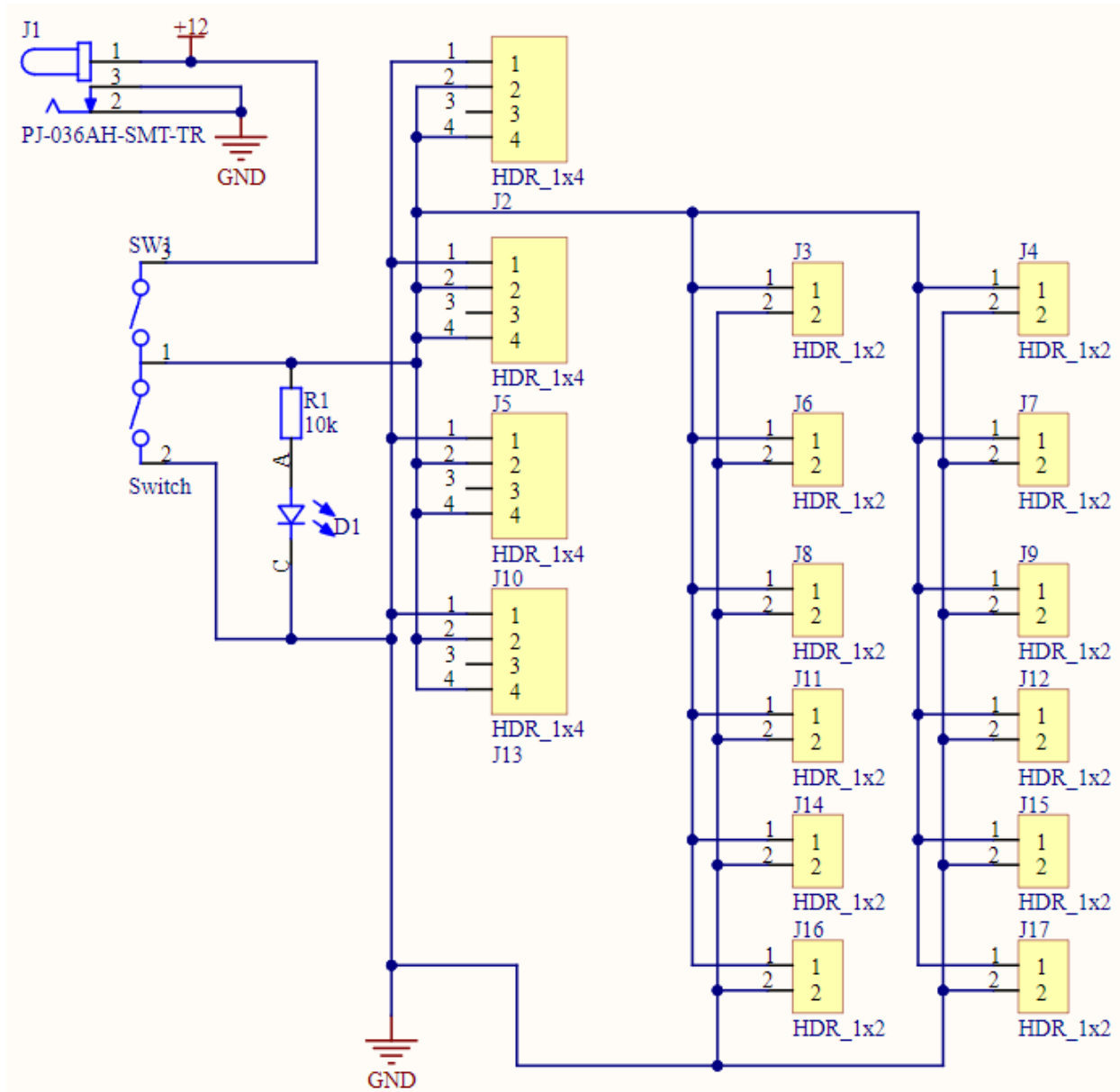
Kit Contents:

- SP5 Cooling Block & Radiator
- Seven 40mm Fans, Fan Brackets, & Fan Controller

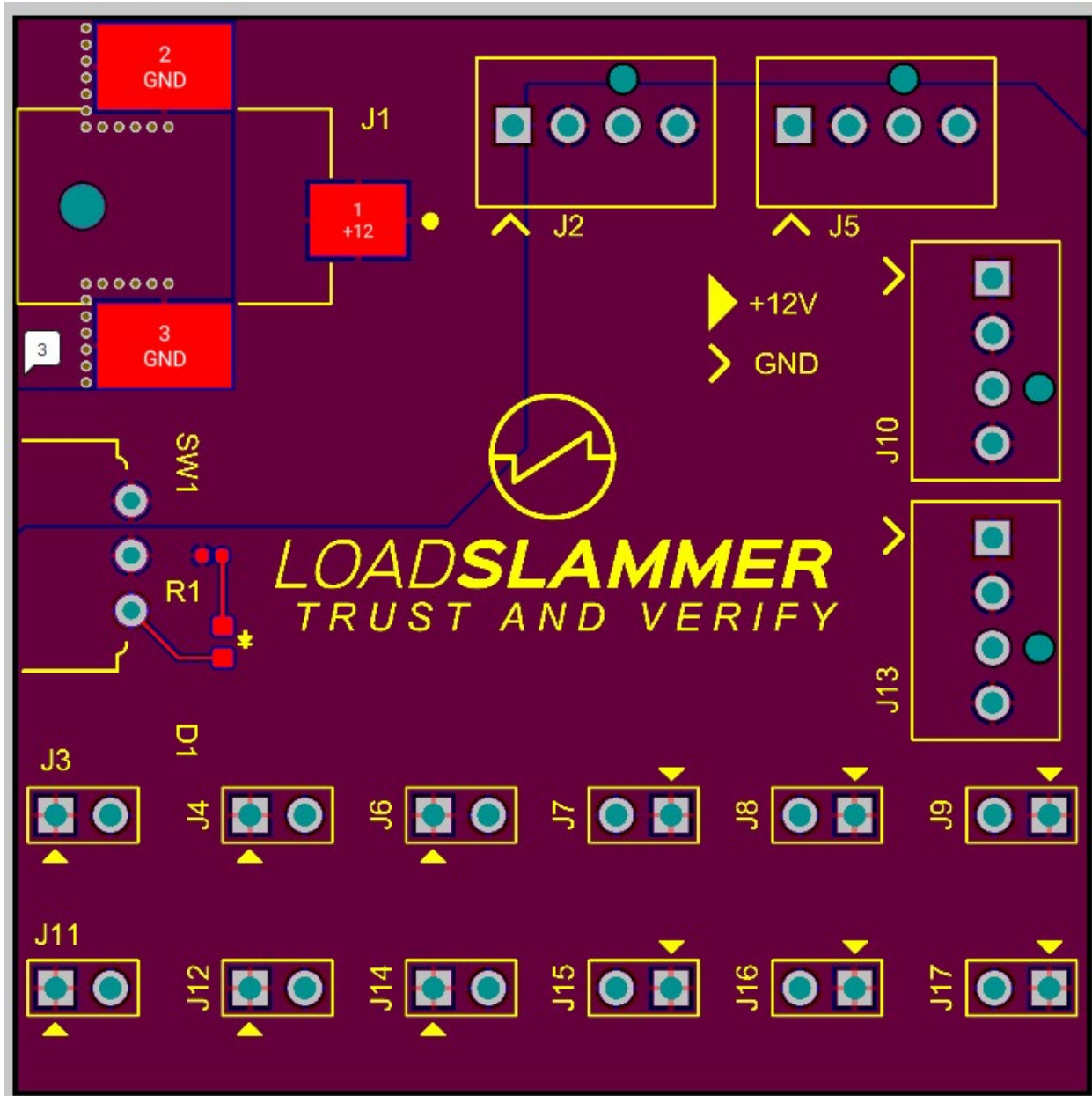
| <u>Mechanical Specifications:</u> | <u>Electrical Specifications:</u> |
|-----------------------------------|-----------------------------------|
| Radiator Size: 1U | Power Supply: 12V Barrel Jack |
| Fan Size: 40mm | Current Rating: 5A |
| Mounting Socket: LGA 6096 | ProGrAnalog Fan Controller |



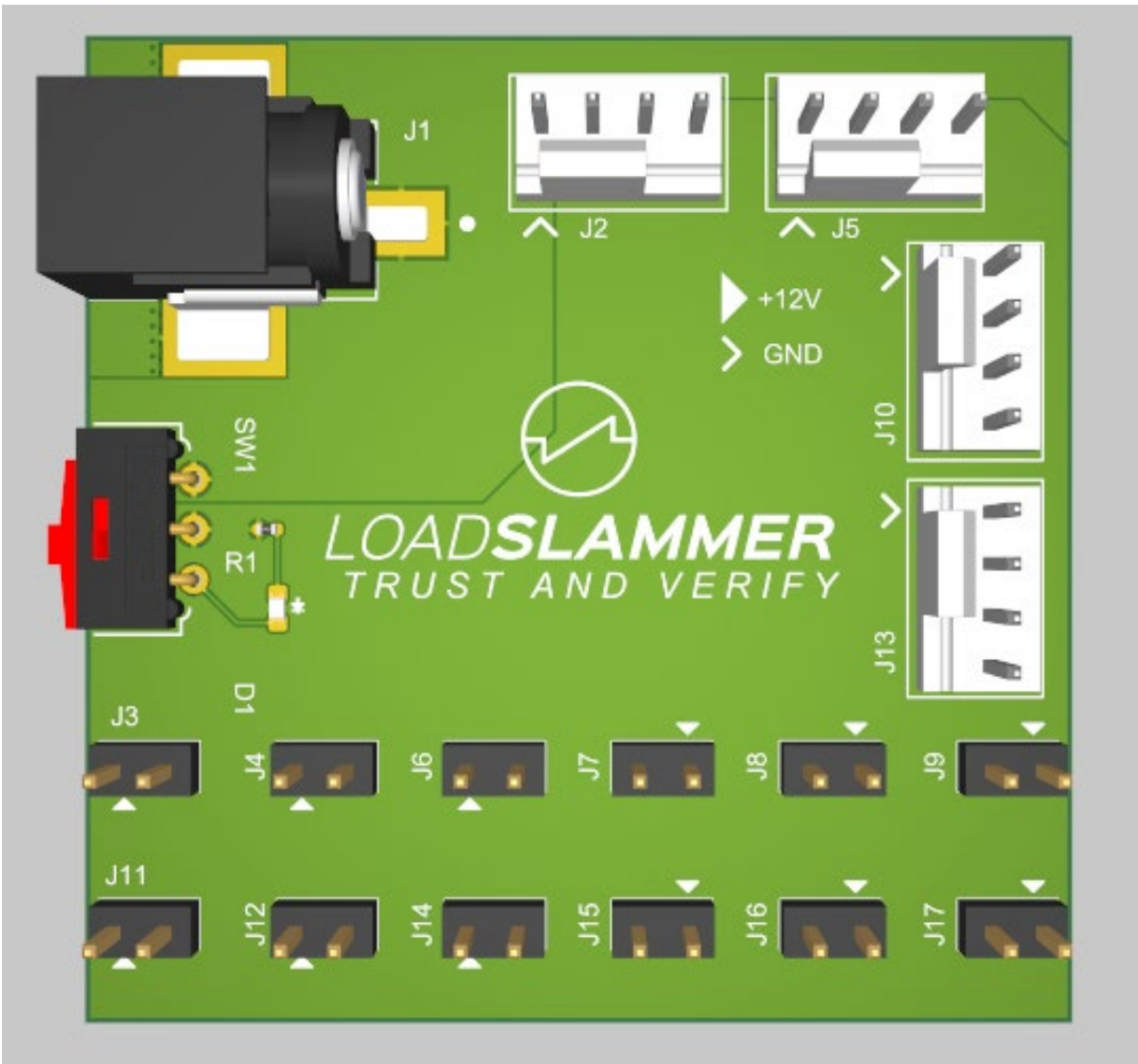
Fan Controller Schematic:



Fan Controller PCB:



Fan Controller Assembly:



Other Information:

- Country Of Origin: USA
- RoHS Compliant
- Tariff Info: 8414.59.65.9
- ECCN: 3B992
- PN: CS-Kit-AM501/AM502



Mouser Electronics

Authorized Distributor

Click to View Pricing, Inventory, Delivery & Lifecycle Information:

[ProGrAnalog Corp:](#)

[CS-Kit-AM501/AM502](#)